



Multi-function compass instruction manual

1. **Thermometer:** Measure for ambient temperature.
2. **Hygrometer:** Measure for ambient relative humidity
3. **LED light :** Lighting (Replaceable battery---step to battery) (I) take out the magnifier and ruler (II) loosen three screws (III) change battery
4. **Reflector:** Call for help in countryside, reflect sunlight to sent out the light signal.
5. **Spirit level :** Determine level condition
6. **Compass:** Measure for magnetic azimuth (Relative functions of compass: acquire data at horizontal and vertical level)
7. **Whistle:** Call for help in countryside, sent out the sound signal. (use tappet to push out the whistle from the third hole at the left side)
8. **Flint:** Wilderness Survival by make fire. (use tappet to push out the flint from the second hole at the left side)
9. **Magnifier:** Find a coordinate on a map.
10. **Ruler:** Measure a distance.

Accessory (1) tappet for pick up whistle, flint and blade of flint.

Accessory (2) blade of flint (use tappet to push out the flint from the first hole at the left side) Scratch the flint to make fire. (I) scratch off the powder and put together on the paper or dry leaves (II) scratch the flint to make spark with powder.

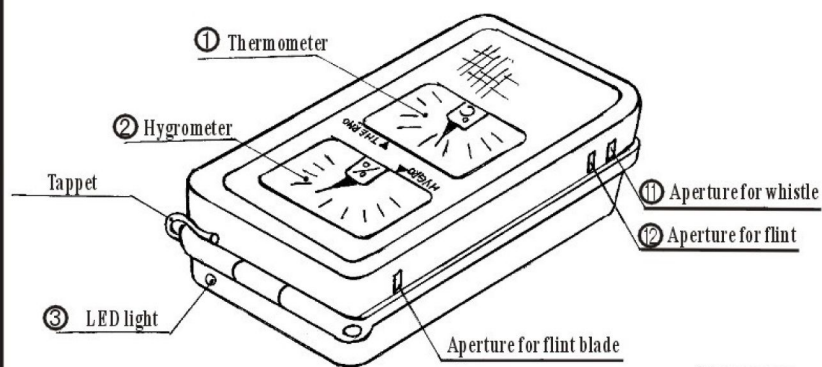


Diagram one:

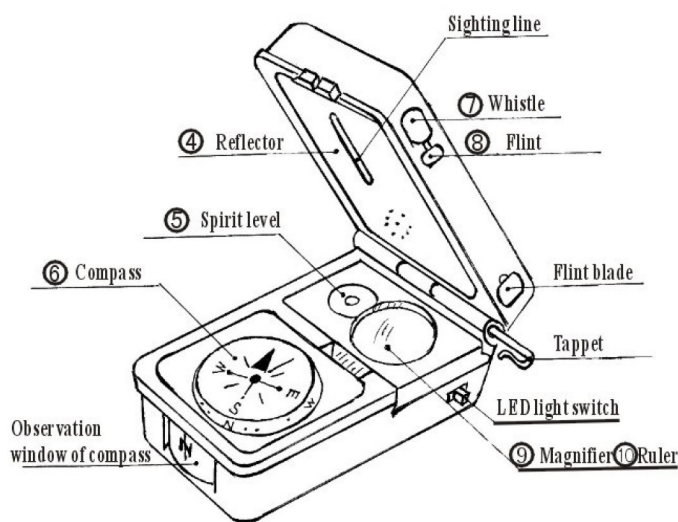


Diagram two:

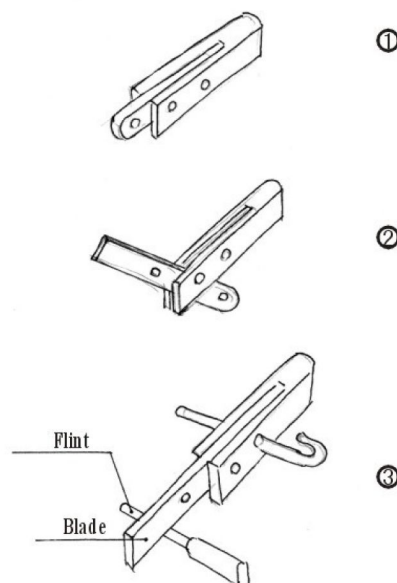


Diagram three: